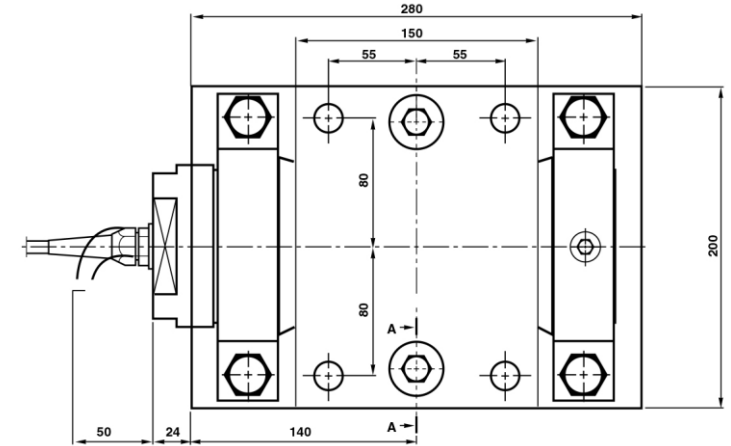
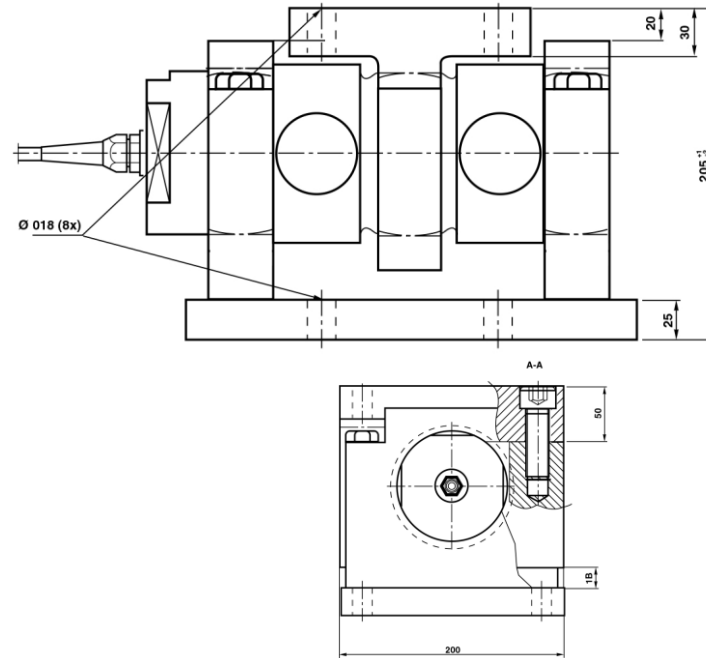
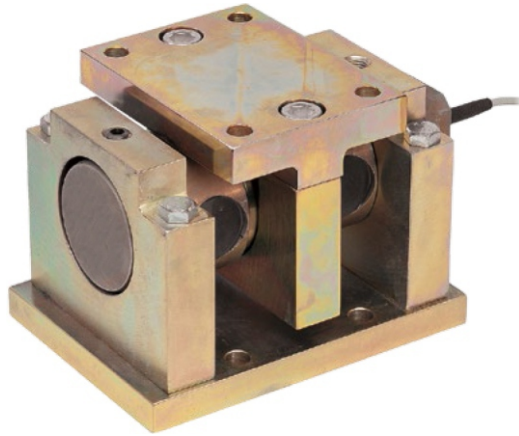


DWV-1 Load Cell Weigh Module



All dimensions in mm

Heavy duty double shear beam load cell weigh module for mounting in process applications

TECHNICAL PARAMETER I Exc + (Red); Exc - (Black); Sig + (Green); Sig - (White)

Rated (kN) :	250, 500, 800, 1000	Operating Temp Range :	-40~ + 80°C
Sensitivity :	2.04 mV/V	Limit Temp Range :	-40~ + 80°C
Total error :	± 0.1% F.S.	Safe Load Limit :	150% F.S.
Creep (30 min) :	± 0.03% F.S.	Over Load Limit :	200% F.S.
Zero balance	± 2% F.S.	Recommend excitation :	10~ 12 V DC
TCO	± 0.03% F.S./10°C	Maximum excitation :	18 V DC
TC SPAN	± 0.03% F.S./10°C	Protection Class :	IP 67
Input resistance	350Ω ± 5Ω	Construction Load Cell :	Alloy Steel
Output resistance	350Ω ± 1Ω	Construction Mounter :	Chromate Steel
Insulation resistance	5000MΩ	Cable :	Length : 10M